

1 2 3 4 5 6 7 8

A A

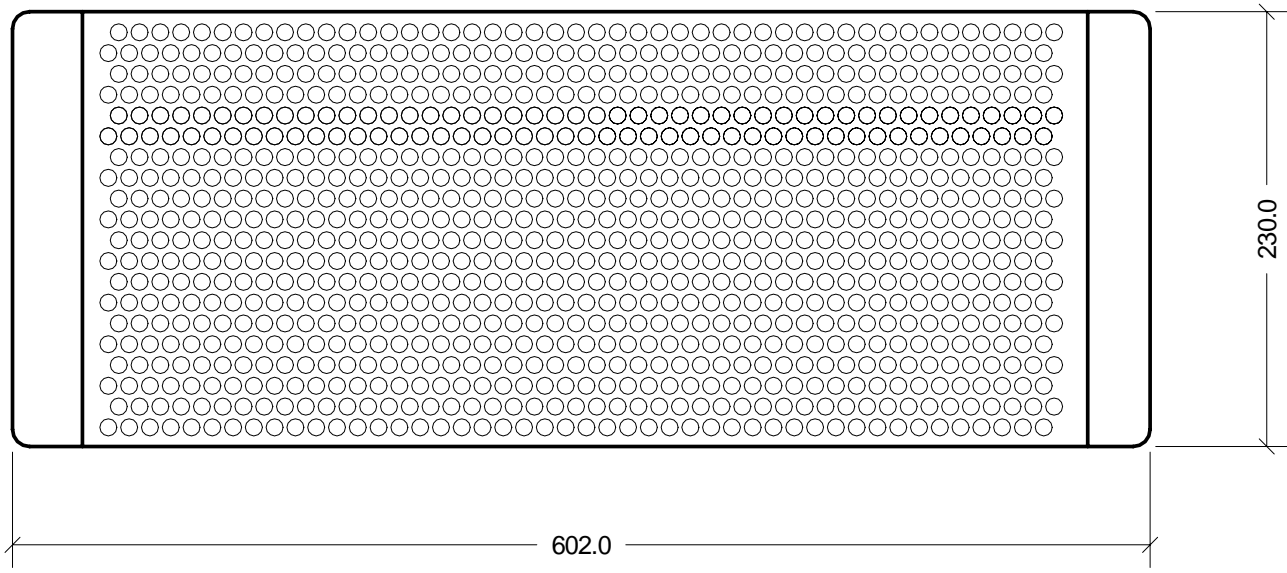
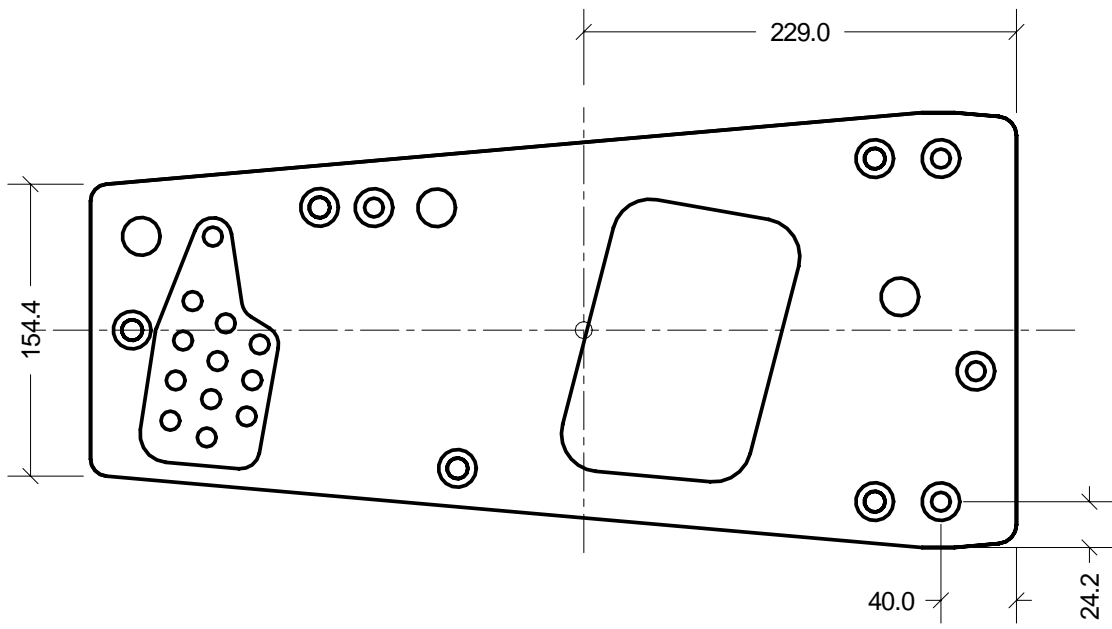
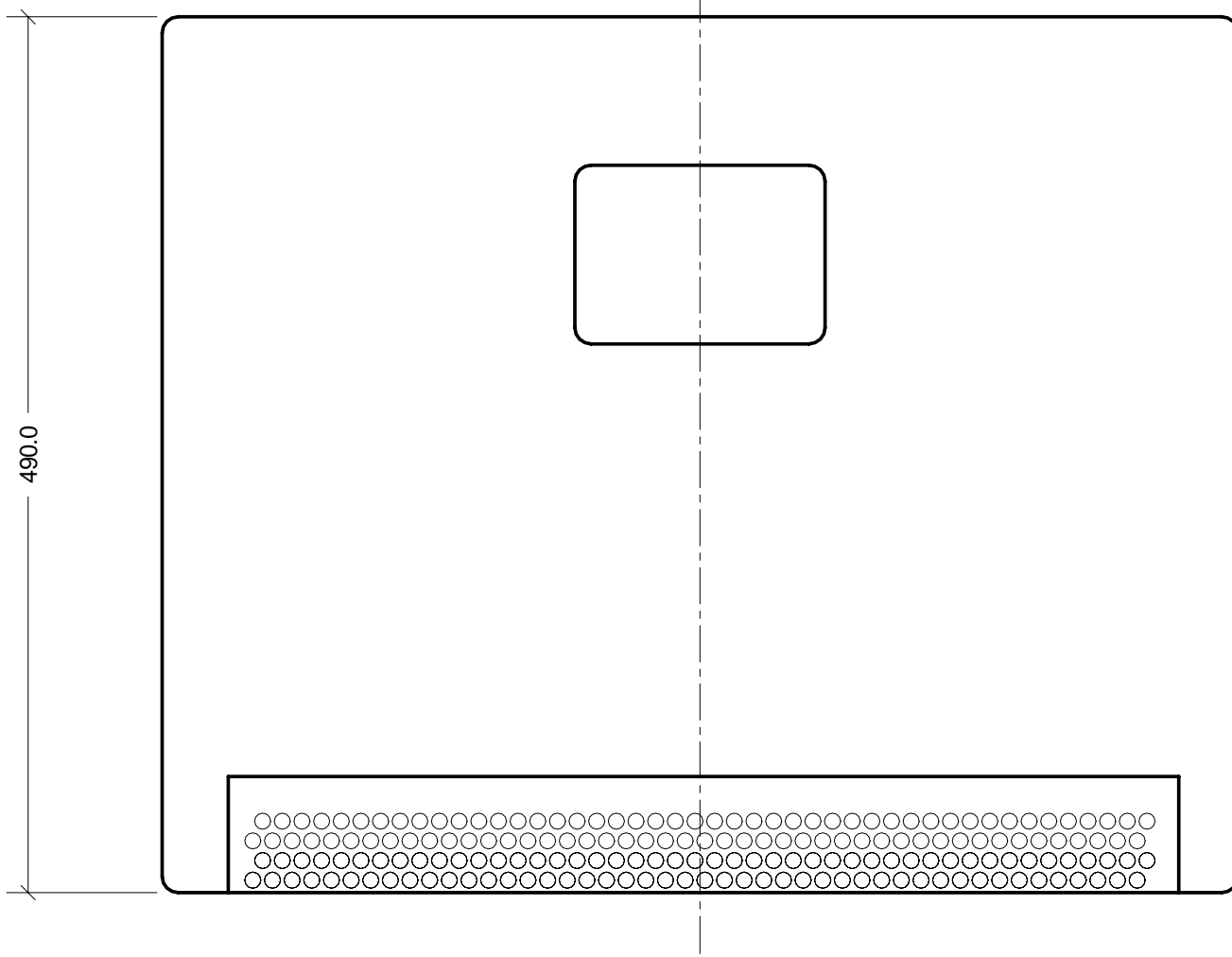
B B

C C

D D

E E

F F



Weight: 26kg Including Hang System

A 20.11.2006 Original Issue	<b>acoustic technologies</b>							
	Drawn	B. Hall	Checked	Approved	Revision	A	Scale	1:4
	<b>TLA308 GENERAL ARRANGEMENT</b>				Sheet 1 of 1		<b>AT-A3-218</b>	

1 2 3 4 5 6 7 8