

1 2 3 4 5 6 7 8

A A

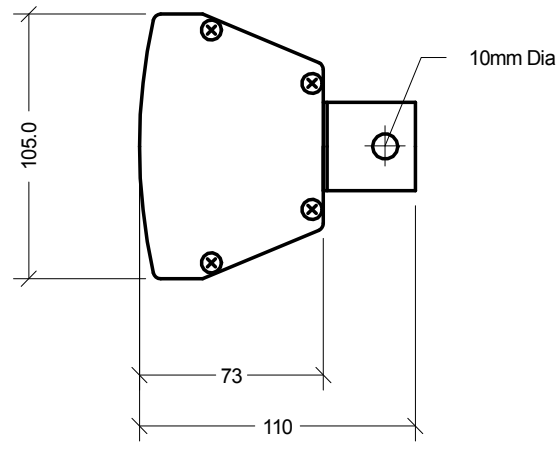
B B

C C

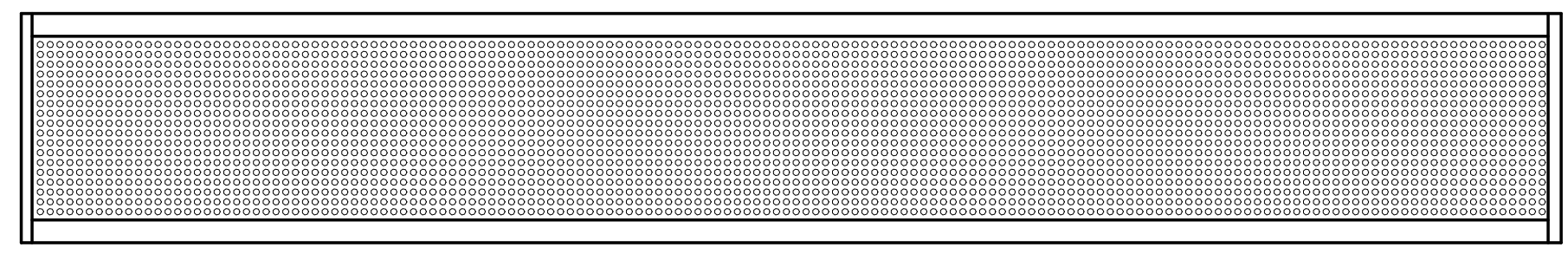
D D

E E

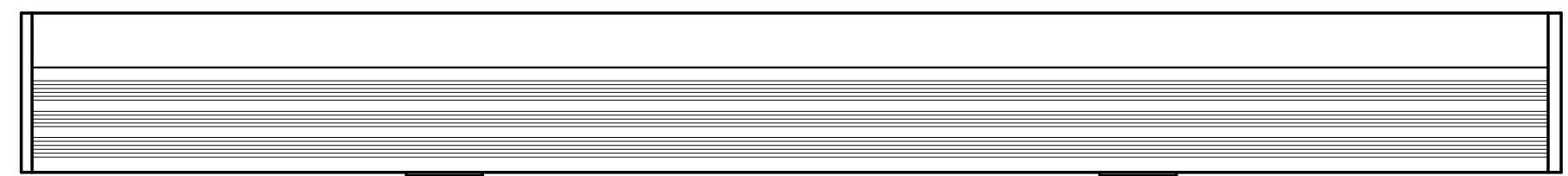
F F



END ELEVATION



PLAN



ELEVATION

194.0 318.0

B 24.01.2014 Product name was ALA04TT	A 06.10.2009 Original Issue	acoustic technologies			
		Drawn R. Faint	Checked	Approved	Revision B
		ALA04-PSA General Arrangement			Scale 1:3
				Sheet 1 of 1	
				AT-A3-383	

1 2 3 4 5 6 7 8