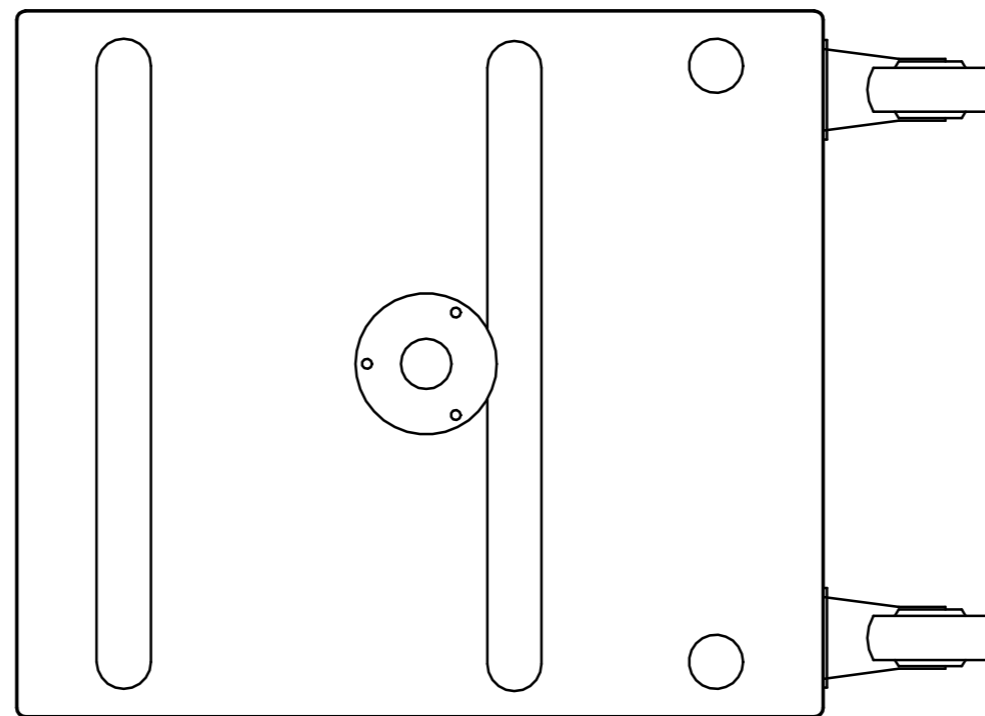
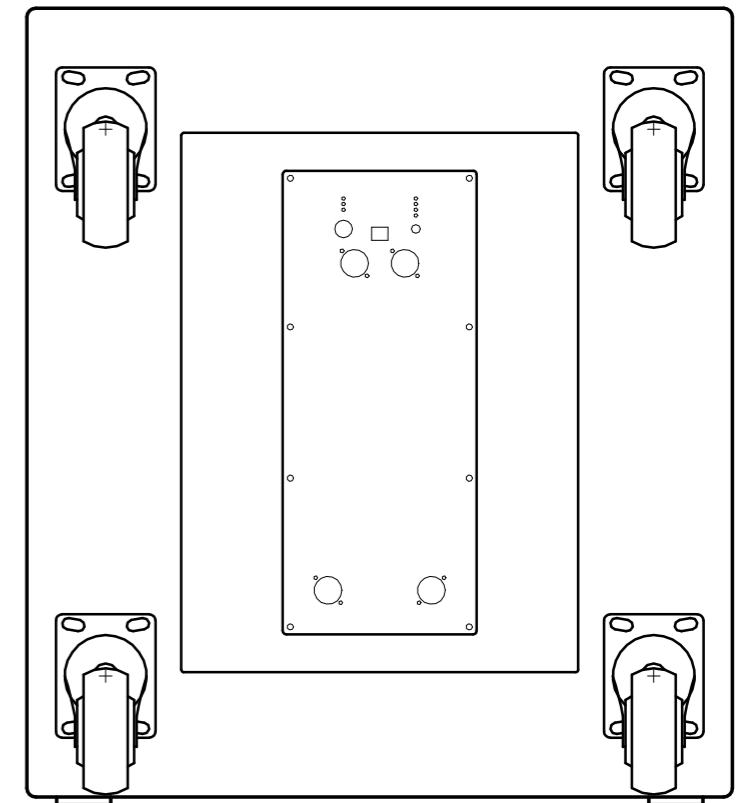
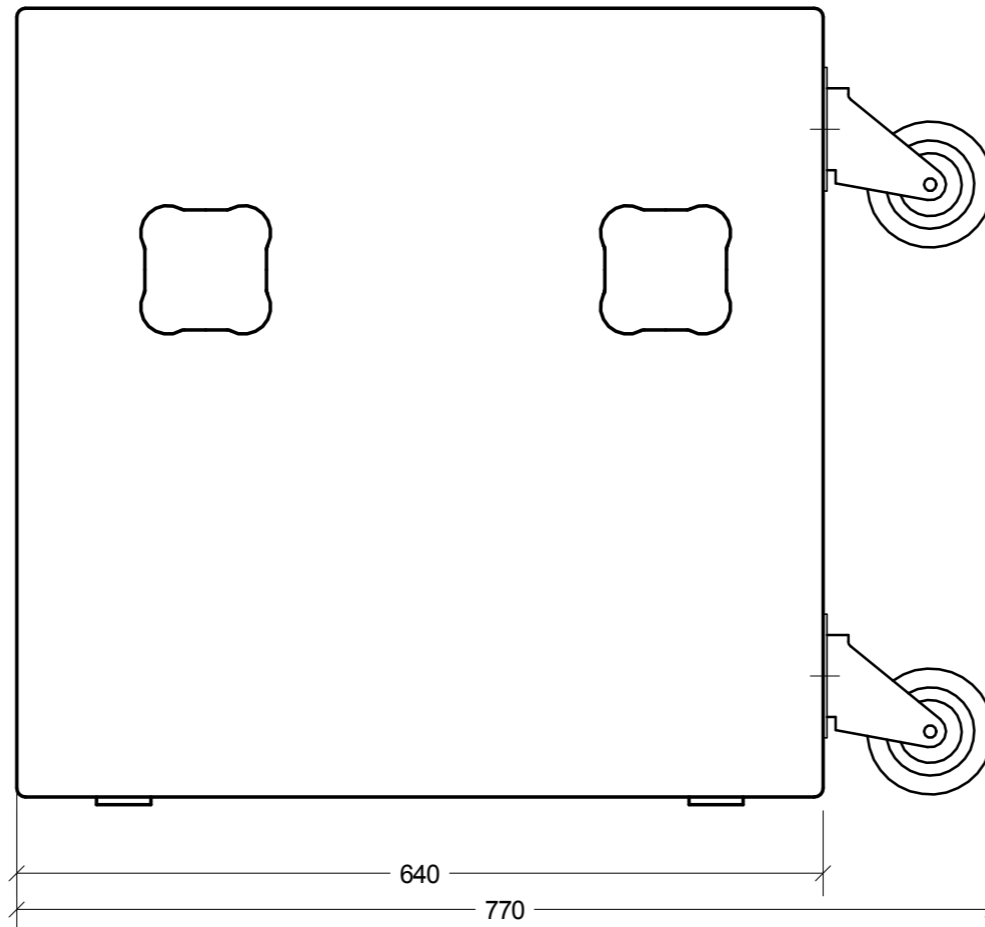
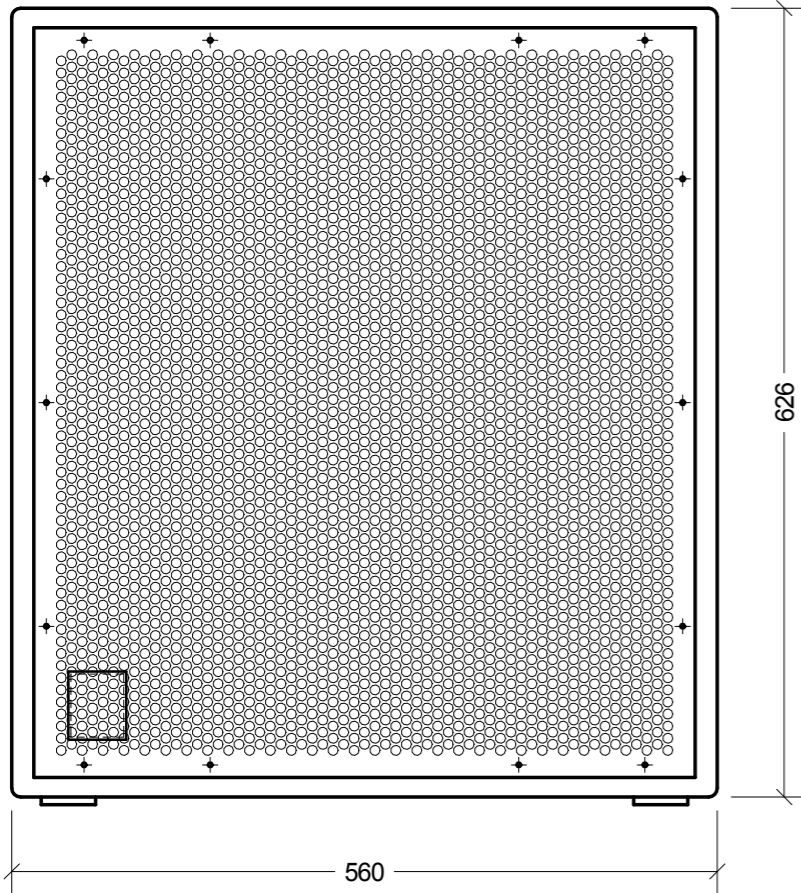


1 2 3 4 5 6 7 8

A
B
C
D
E
F

A
B
C
D
E
F



A 25.03.20159 Original Issue	acoustic technologies							
	Drawn	R. Faint	Checked	Approved	Revision	A	Scale	1:6
	CLA LF3200A					Sheet 1 of 1		
	GENERAL ARRANGEMENT					AT-A3-782		

1 2 3 4 5 6 7 8