

1 2 3 4 5 6 7 8

A A

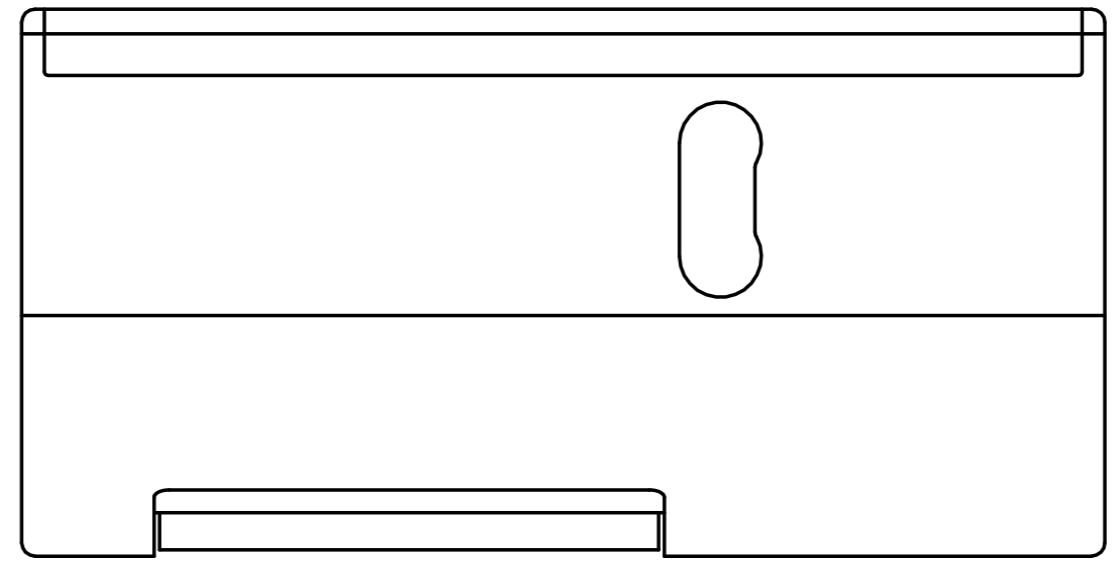
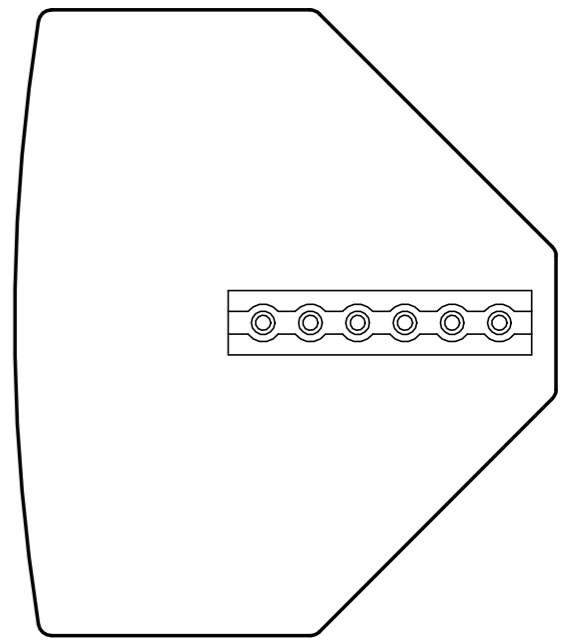
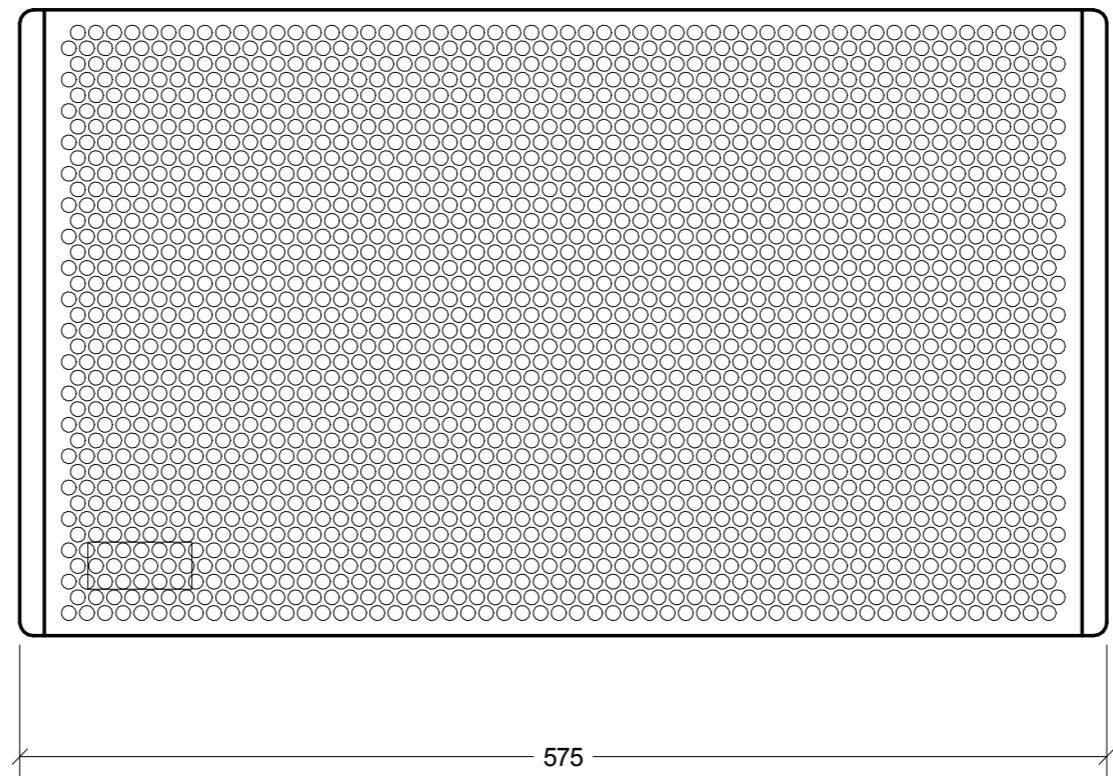
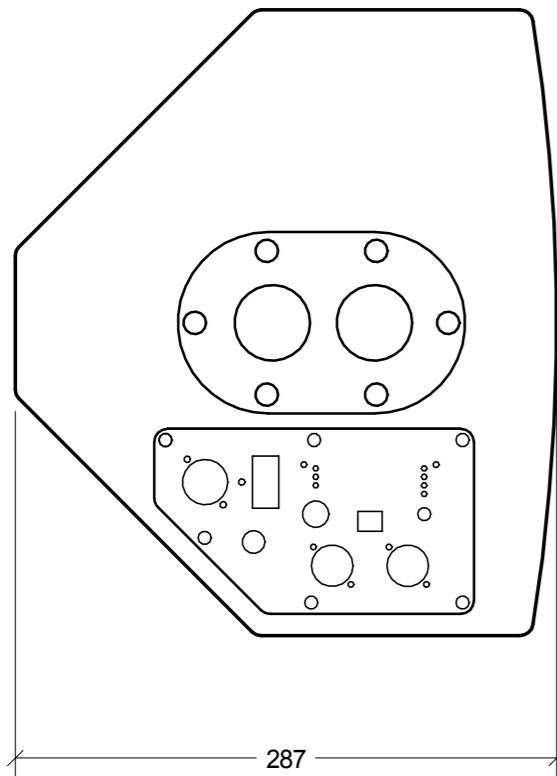
B B

C C

D D

E E

F F



A 23.04.2019 Original Issue	acoustic technologies			
	Drawn R. Faint	Checked	Approved	Revision A Scale 1:3
	SCX25A			Sheet 1 of 1
GENERAL ARRANGEMENT			AT-A3-790	

1 2 3 4 5 6 7 8