

1 2 3 4 5 6 7 8

A A

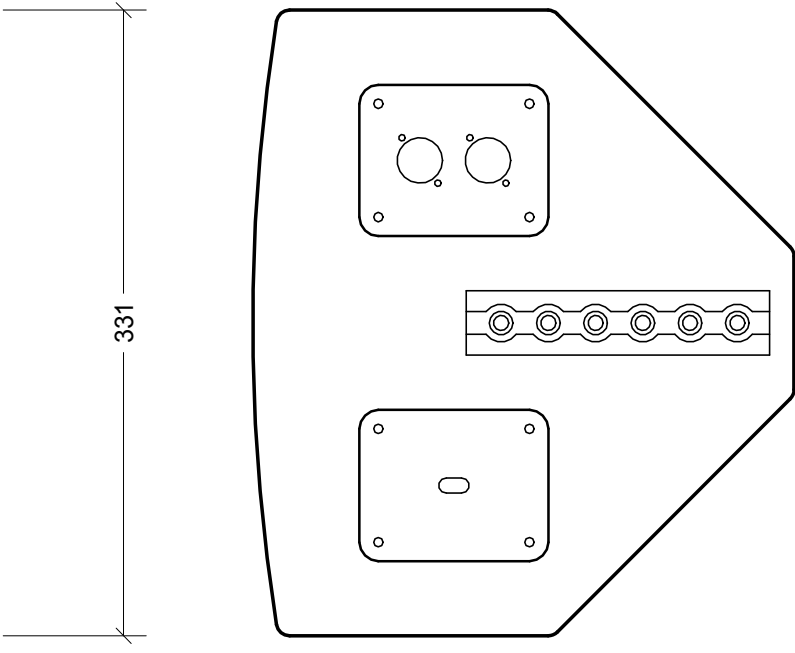
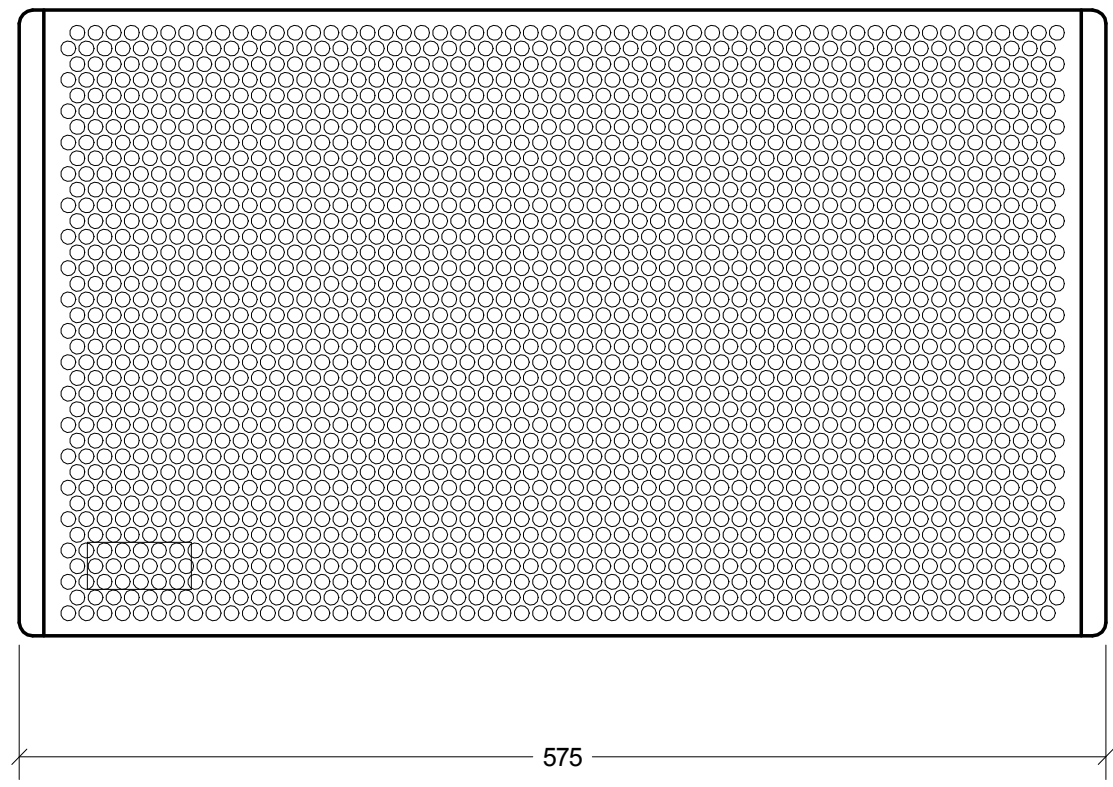
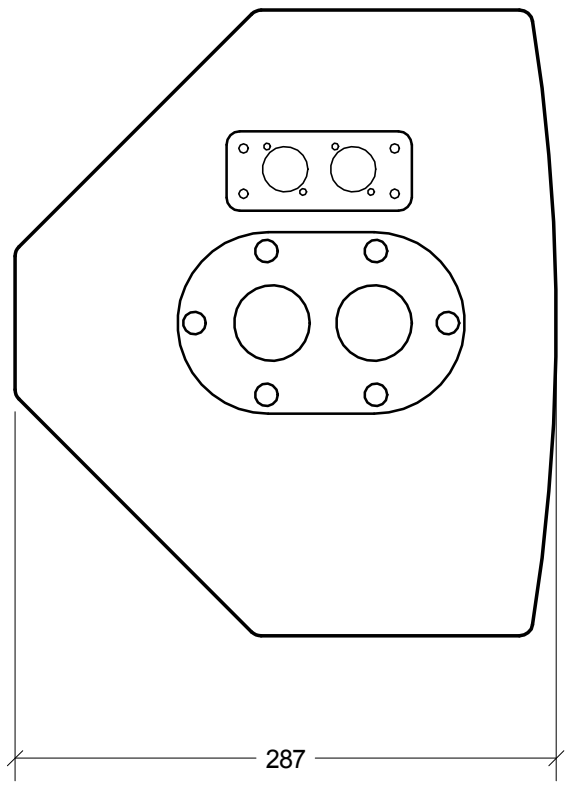
B B

C C

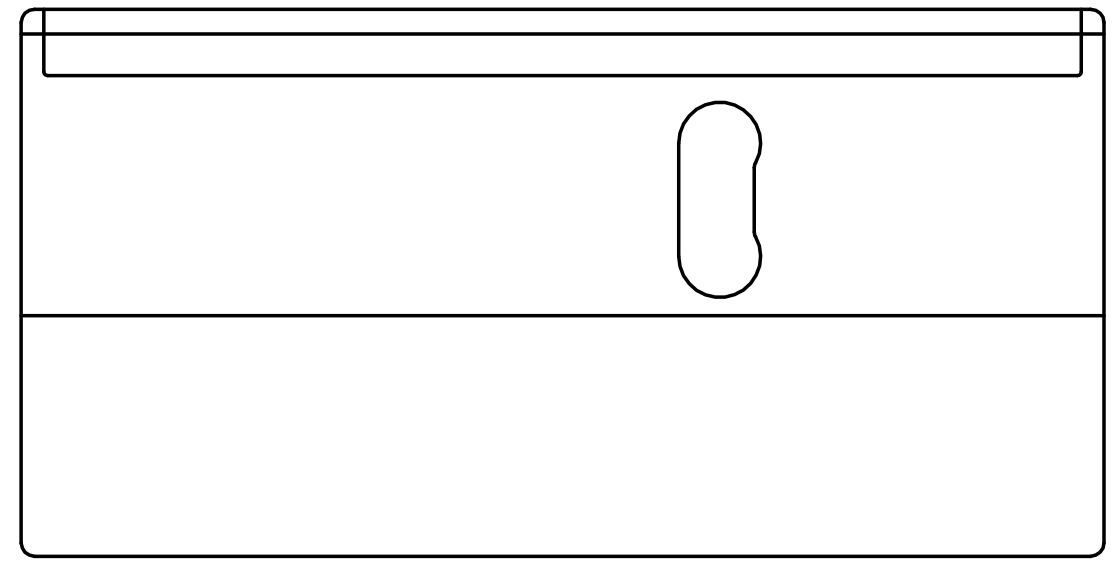
D D

E E

F F



331



A 19.05.2019 Original Issue	<b>acoustic technologies</b>				
	Drawn R. Faint	Checked	Approved	Revision A	Scale 1:3
	<b>SCX25 General Arrangement</b>			Sheet 1 of 1	
			<b>AT-A3-791</b>		

1 2 3 4 5 6 7 8